



Z874-12

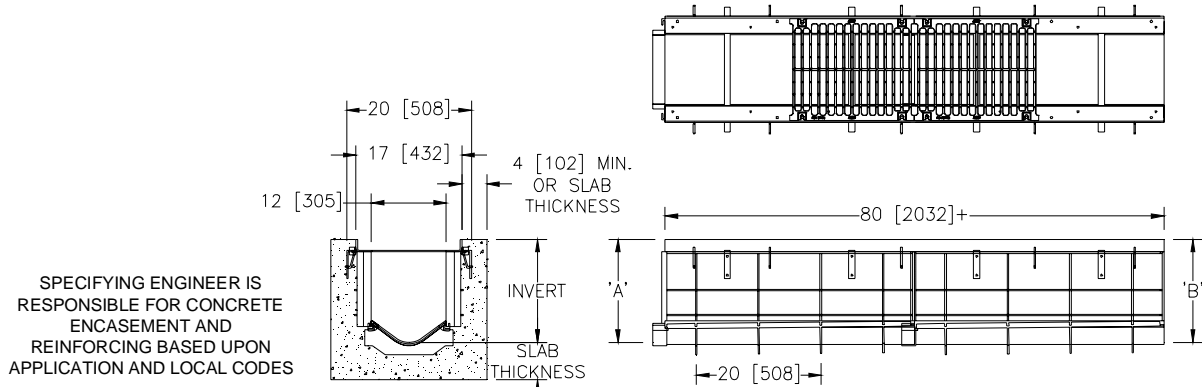
12 [305] WIDE THROAT TRENCH DRAIN SYSTEM



Supplied By:
877-903-7246
www.trenchdrainsupply.com

TAG _____

Dimensional Data (inches and [mm]) are Subject to Manufacturing Tolerances and Change Without Notice



SPECIFYING ENGINEER IS RESPONSIBLE FOR CONCRETE ENCASEMENT AND REINFORCING BASED UPON APPLICATION AND LOCAL CODES

+ Actual High Density Polyethylene channel length is 82 [2083] to allow for overlap, with frame attached the length is 84-1/2 [2146] with the exception of P.N. 1201P and 1230P.

ENGINEERING SPECIFICATION: Zurn Z874-12

Channels shall be 80 [2032] long, 17 [432] wide reveal and have a 12 [305] wide throat. Modular channel sections shall be made of 0% water absorbent High Density Polyethylene (HDPE). Shall have a positive mechanical connection between channel sections that will not separate during the installation and shall mechanically lock into the concrete surround every 10 [254]. Channels shall weigh less than 6.6 lbs. [3 kg] per linear foot, have smooth 3.5 [89] radiused self cleaning bottom with a Manning's coefficient of .009 and 1.00% or neutral 0% built-in slope. Channels are available with inverts ranging from 9.25 [235] to 34.21 [869]. Channel shall have all grates locked down. Channels come with clips attached to the frame to accommodate vertical re-bar for positioning and anchoring purposes. Shall be provided with the standard DGC grate, Zurn 16-1/4 [413] wide Ductile Iron Slotted Grate, which locks down to the frame with 4 individual bolt anchors per grate. Ductile Iron conforms to ASTM specification A536-84, Grade 80-55-06. Ductile Iron grate is rated class C per the DIN EN1433 top load classifications. Supplied in 20 [608] nominal lengths with 13/16 [21] wide slots, and 1-3/4 [44] bearing depth. Grate has an open area of 118 sq. in. per ft. [249779] sq. mm per meter]. The 1/4 [6] thick Carbon Steel Frame Assembly conforms to ASTM specification A36 with 10 - 4 [102] long concrete anchors per 80 [2032]. The frame is supplied with a powder coated finish. All welds must be performed by a certified welder per ASTM standard AWS D1.1. Frames shall be produced in the USA.

PREFIX

___ Z 80 [2032] High Density Polyethylene Channel, Heavy-Duty Frame with Anchor Studs*

SUFFIX OPTIONS (Check/specify appropriate options)

Adapters

___ -E1 Closed End Cap
___ -E4 4 [102] No-Hub End Outlet
___ -E6 6 [152] No-Hub End Outlet
___ -E8 8 [203] No-Hub End Outlet
___ -E10 10 [254] No-Hub End Outlet
___ -U4 4 [102] No-Hub Bottom Outlet
___ -U6 6 [152] No-Hub Bottom Outlet
___ -U8 8 [203] No-Hub Bottom Outlet
___ -U12 12 [305] No-Hub Bottom Outlet

Grate Options (Load Classifications are per DIN EN1433)

___ -DCC Ductile Iron Solid Cover - Class C
___ -DGC Ductile Iron Slotted Grate - Class C*
___ -DGF Ductile Iron Slotted Grate - Class F
___ -GDC Galvanized Ductile Iron Grate - Class C
___ -GDF Galvanized Ductile Iron Grate - Class F
___ -GG Fiberglass Grate
___ -HPD Heel-Proof Longitudinal Ductile Iron Grate - Class C

Miscellaneous Options

___ -RC Rebar Clips (Set of 2)
___ -VP Vandal-Proof Lockdown

MADE in the U.S.A. (Load Classifications are per DIN EN1433)

___ -ADA-USA Meets Americans with Disabilities Act Requirements - Class C
___ -DGC-USA Ductile Iron Slotted Grate - Class C
___ -DGF-USA Ductile Iron Slotted Grate-Class F
___ -GADA-USA Galvanized Ductile ADA Slotted Grate - Class C
___ -GDC-USA Galvanized Ductile Slotted Grate - Class C
___ -GDF-USA Galvanized Ductile Slotted Grate - Class F

Trench #	'A' Shallow Inv.	'B' Deep Inv.	Flow		
			(gpm)	(lps)	(cfs)
1201P	9.250 [235]	10.082 [256]	1475	93	3.306
1202P	10.082 [256]	10.914 [277]	1758	111	3.941
1203P	10.914 [277]	11.746 [298]	2048	129	4.589
1204P	11.746 [298]	12.578 [319]	2341	148	5.248
1205P	12.578 [319]	13.410 [341]	2639	166	5.915
1205NP	13.410 [341]	13.410 [341]	-	-	-
1206P	13.410 [341]	14.242 [362]	2939	185	6.589
1207P	14.242 [362]	15.074 [383]	3243	205	7.268
1208P	15.074 [383]	15.906 [404]	3548	224	7.953
1209P	15.906 [404]	16.738 [425]	3855	243	8.641
1210P	16.738 [425]	17.570 [446]	4164	263	9.333
1211P	17.570 [446]	18.402 [467]	4474	282	10.028
1212P	18.402 [467]	19.234 [489]	4785	302	10.726
1213P	19.234 [489]	20.066 [510]	5098	322	11.426
1214P	20.066 [510]	20.898 [531]	5411	341	12.128
1215P	20.898 [531]	21.730 [552]	5725	361	12.832
1215NP	21.730 [552]	21.730 [552]	-	-	-
1216P	21.730 [552]	22.562 [573]	6040	381	13.538
1217P	22.562 [573]	23.394 [594]	6355	401	14.244
1218P	23.394 [594]	24.226 [615]	6671	421	14.953
1219P	24.226 [615]	25.058 [636]	6988	441	15.662
1220P	25.058 [636]	25.890 [658]	7304	461	16.372
1221P	25.890 [658]	26.722 [679]	7622	481	17.084
1222P	26.722 [679]	27.554 [700]	7940	501	17.796
1223P	27.554 [700]	28.386 [721]	8258	521	18.509
1224P	28.386 [721]	29.218 [742]	8576	541	19.223
1225P	29.218 [742]	30.05 [763]	8895	561	19.937
1225NP	30.05 [763]	30.05 [763]	-	-	-
1226P	30.05 [763]	30.882 [784]	9214	581	20.652
1227P	30.882 [784]	31.714 [806]	9533	601	21.367
1228P	31.714 [806]	32.546 [827]	9852	622	22.083
1229P	32.546 [827]	33.378 [848]	10172	642	22.800
1230P	33.378 [848]	34.210 [869]	10492	662	23.517

(Neutral channels available for all section numbers)

MADE in the U.S.A. Miscellaneous Options

___ -CBF Black Acid Resistant Coated Frame
___ -DB Bottom Dome Strainer
___ -SF Type 304 Stainless Steel Top Frame

REV. Q DATE: 05/05/11 C.N. NO. 121231

DWG. NO. 64183

PRODUCT NO. Z874-12

*REGULARLY FURNISHED UNLESS OTHERWISE SPECIFIED

ZURN INDUSTRIES, LLC ♦ SPECIFICATION DRAINAGE OPERATION ♦ 1801 Pittsburgh Ave. ♦ Erie, PA 16514

Phone: 814455-0921 ♦ Fax: 814454-7929 ♦ World Wide Web: www.zurn.com

In Canada: ZURN INDUSTRIES LIMITED ♦ 3544 Nashua Drive ♦ Mississauga, Ontario L4V1L2 ♦ Phone: 905405-8272 Fax: 905405-1292